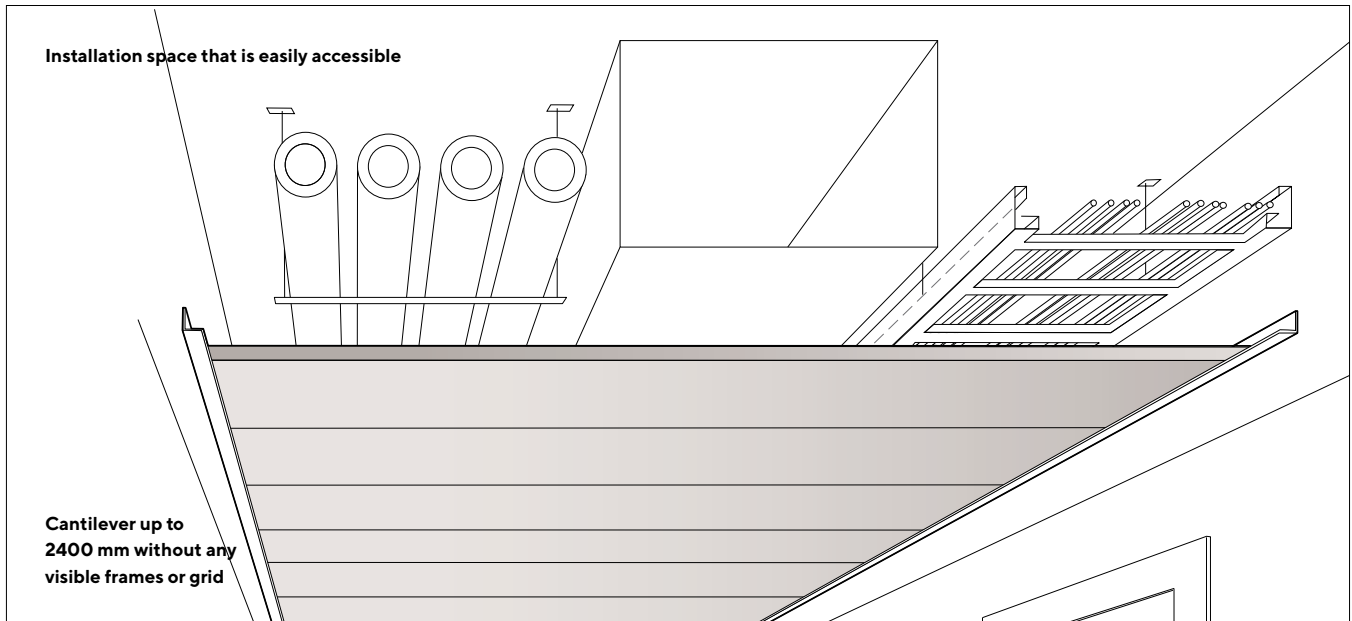


# Träullit Corridor Panel Installation Guide



## Description

Träullit Corridor Panel is an interior ceiling element of 25 mm Träullit Acoustic wood wool panels reinforced with loadbearing profiles of galvanized steel. It is uniquely developed to provide cantilevered ceiling constructions without requiring pendulums or visible support profiles in corridors and settings with limited space for ceiling grid installations. The product is customizable in different dimensions with a maximum cantilever of 2400 mm. Thanks to its construction, the panel is exceptionally swift and easy to install and disassemble; a valuable attribute for settings with many installations above the suspended ceiling.

## Handling

Träullit Corridor Panels are delivered on pallets. The panels must be handled with care so that surfaces and edges are not damaged. Using a forklift for unloading is suggested. If the pallets are lifted with so-called web straps, the longitudinal edges of the top panels must be protected so that they are not damaged.

## Storage

The panels must be protected against precipitation and stored in a warm and dry room before assembly. Like all natural materials, the

panels should preferably be conditioned in the environment where they are to be installed. The plastic packaging covering the pallets upon delivery is a transport protection and must be removed during storage.

## Processing

Träullit Acoustic Corridor panel is drilled, sawed, etc. with standard woodworking tools. Tools with carbide tips are preferred. Special customized dimensions or formats must be ordered pre-cut from the factory. Sawing must always be carried out from the sawed flat-side towards the back. A cutting disc for metal is required for cutting the corridor panel to length. The dust formed during processing is not harmful to health. The panels can be vacuumed.

## Installation

Ensure that the panels are dry before installation. The panel is laid directly on wall-hung aluminum profiles, - L-profile or cornice -, in the corridors. For aesthetic reasons, utilizing the cornices is recommended in situations when the space above the corridor panel is limited. Träullit Corridor Panels can also be installed as a suspended interior ceiling. They are then placed on T-profiles, c max 2400 mm. The corridor panels can also be installed by free-hanging directly in its steel profiles.

## Measurements

The free distance between the joists/installations and the corridor panel must be at least:

- 190 mm with L-profile
- 100 mm with cornice

The length of the corridor panel is stated to:

- corridor width - 10 mm with L-profile
- corridor width - 60 mm with cornice

The width of the fitting must be at least 20 mm, which the above stated lengths ensures.

**NOTE!** Sometimes the tolerances of the walls require that measurements must be taken at the workplace.

## Painting

Träullit Corridor Panels can be painted at the workplace. Two layers of latex paint are recommended (Hus AMA P2.2 treatment type 56/00010SP.) Painting will not impair the sound absorbing qualities of the panels. For best results, we recommend using Träullit Corridor Panels in the White Cement-colorway; with its fully permeated dyed color tone, they are intended to be used as a base for painting in light colors. No surface treatment is required. Note that slight variations in color and surface structures of unpainted panels may occur.

## Fittings and lighting

Fittings and lighting are attached so that they do not debilitate the Corridor Panel. Spotlights and similar can be folded in and strain the panel.

## Dimensions and technical data

Material:

- 25 mm Träullit Acoustic with chamfered (FK) or straight (RK) edges.
- 2 hat profiles in galvanized steel on the top.

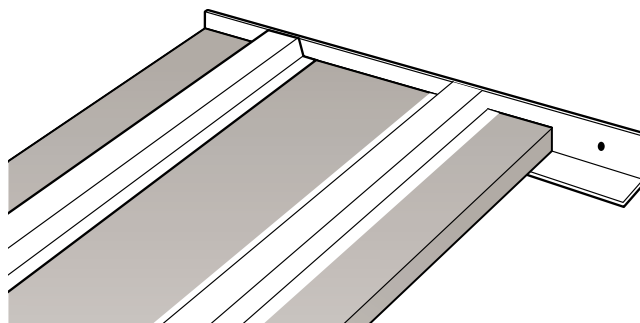
The construction makes the panel cantilever without visible deflection.

**Length:** ≤ 2,400 mm

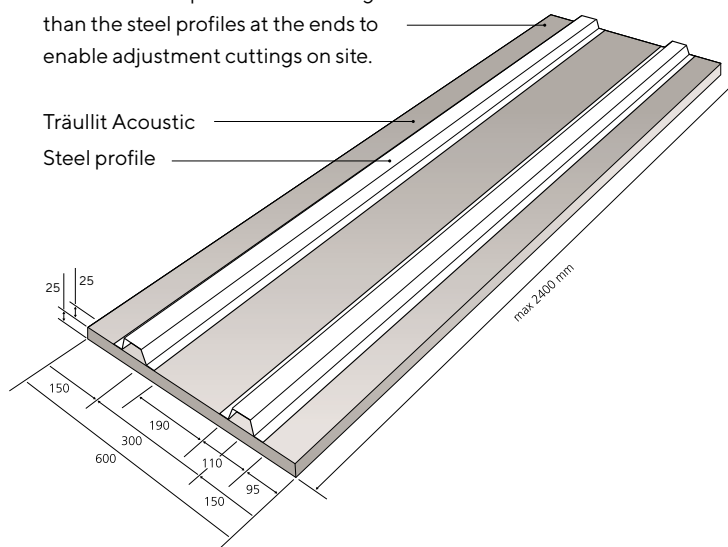
**Width:** 600 mm

**Thickness:** 50 mm in total, incl. profile (2.5 mm)

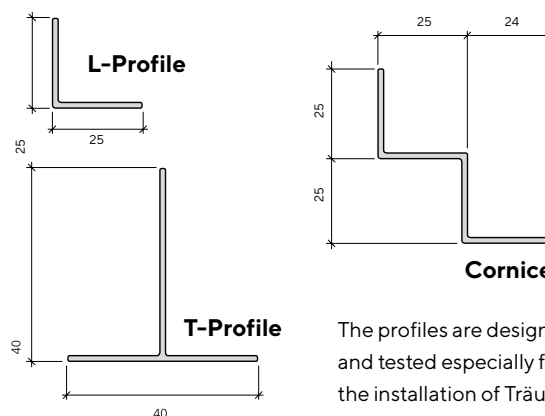
**Weight:** approx. 15 kg/m<sup>2</sup>



The wood wool panel is 10 mm longer than the steel profiles at the ends to enable adjustment cuttings on site.



## Aluminum profiles



The profiles are designed and tested especially for the installation of Träullit Corridor Panels.

## Contact us:

Träullit AB  
Fabriksgatan 2  
573 74 Ydre, Sweden

Tel: +46 381-601 14  
www.traullit.se  
info@traullit.se